

TF130 SERIES

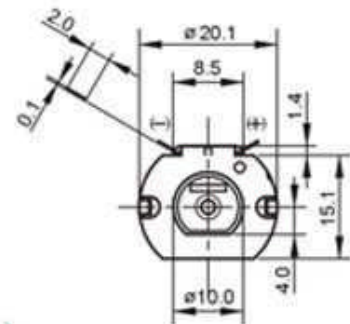
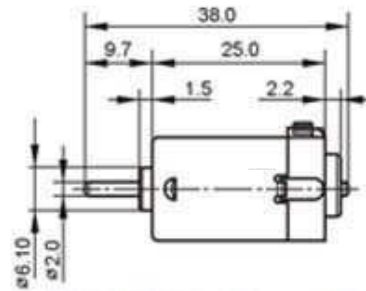
Typical Applications : Toys and Models

- Motorized Toy
- Motorized Plastic Model



MODEL	VOLTAGE		NO LOAD		AT MAXIMUM EFFICIENCY				STALL		
	OPERATION RANGE	NOMINAL	SPEED	CURRENT	SPEED	CURRENT	TORQUE		TORQUE		CURRENT
			rpm	A	rpm	A	mN-m	g-cm	mN-m	g-cm	A
TF130-2270	1.5-3.0	1.5V CONSTANT	8500	0.20	630	0.56	0.67	6.9	2.55	26	1.50
		3.0V CONSTANT	16400	0.23	13200	0.95	0.83	8.5	4.31	44	3.92
TF130-2360	1.5-3.0	3.0V CONSTANT	1800	0.32	14000	1.10	1.04	11.5	4.75	48	3.30
TF130-10300	3.0-6.0	6.0V CONSTANT	8800	0.05	6560	0.15	0.62	6.3	2.45	25	0.43
TF130-12240	3.0-1.5	3.0V CONSTANT	5500	0.05	4000	0.13	0.68	7.0	2.55	26	0.37
TF130-14150	1.5-4.5	3.0V CONSTANT	8300	0.11	6800	0.25	0.39	4.0	2.25	23	0.90
TF130-18100	1.5-3.0	1.5V CONSTANT	6200	0.15	4500	0.41	0.47	4.8	1.76	18	1.12
		3.0V CONSTANT	12300	0.15	9700	0.56	0.74	7.5	3.53	36	2.10

DIRECTION OF ROTATION

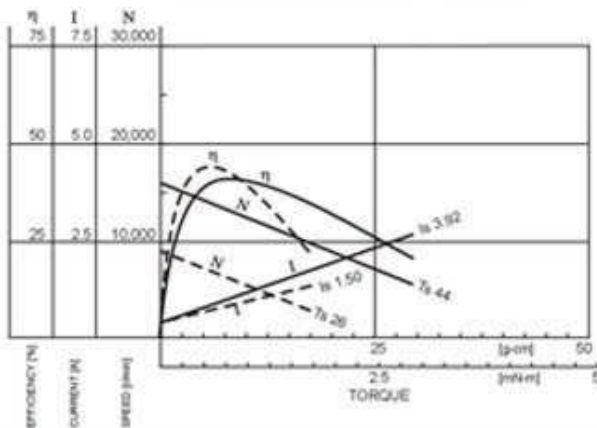


UNIT: MILLIMETRES

WEIGHT: 17g (APPROX)

TF130-2270

--- 1.5V — 3.0V



TF130-18100

--- 1.5V — 3.0V

