

NPN SILICON POWER TRANSISTOR

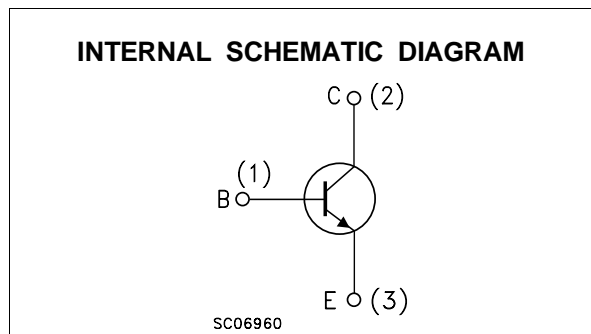
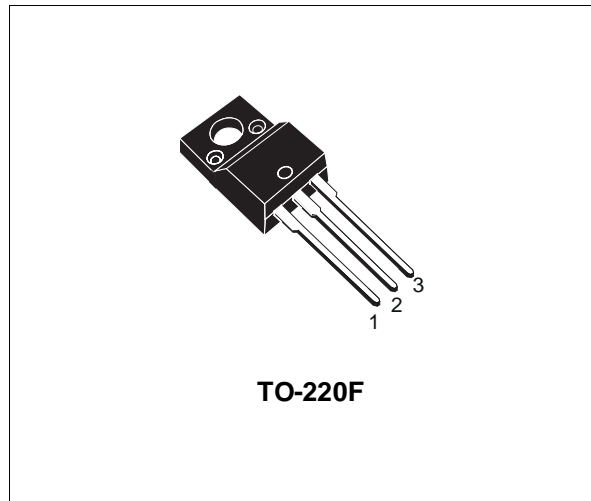
- HIGH DC CURRENT GAIN
- LOW SATURATION VOLTAGE
- INSULATED PACKAGE FOR EASY MOUNTING

APPLICATIONS

- GENERAL PURPOSE POWER AMPLIFIERS
- GENERAL PURPOSE SWITCHING

DESCRIPTION

The 2SD2012 is a silicon NPN power transistor housed in TO-220F insulated package. It is intended for power linear and switching applications.



ABSOLUTE MAXIMUM RATINGS

Symbol	Parameter	Value	Unit
V_{CBO}	Collector-Base Voltage ($I_E = 0$)	60	V
V_{CEO}	Collector-Emitter Voltage ($I_B = 0$)	60	V
V_{EBO}	Emitter-Base Voltage ($I_C = 0$)	7	V
I_C	Collector Current	3	A
I_{CM}	Collector Peak Current ($t_p < 5$ ms)	6	A
I_B	Base Current	0.5	A
P_{tot}	Total Dissipation at $T_c \leq 25$ °C	25	W
V_{isol}	Insulation Withstand Voltage (RMS) from All Three Leads to External Heatsink	1500	V
T_{stg}	Storage Temperature	-65 to 150	°C
T_j	Max. Operating Junction Temperature	150	°C

2SD2012

THERMAL DATA

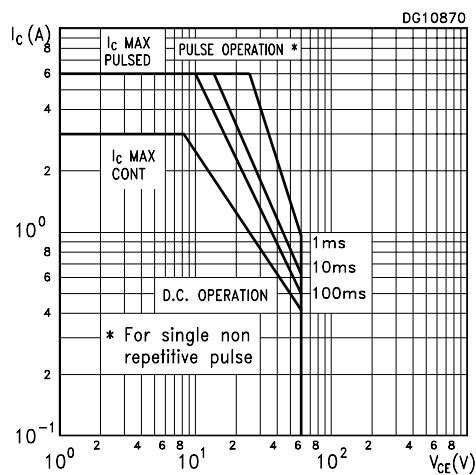
R _{thj-case}	Thermal Resistance Junction-case	Max	5	°C/W
-----------------------	----------------------------------	-----	---	------

ELECTRICAL CHARACTERISTICS (T_{case} = 25 °C unless otherwise specified)

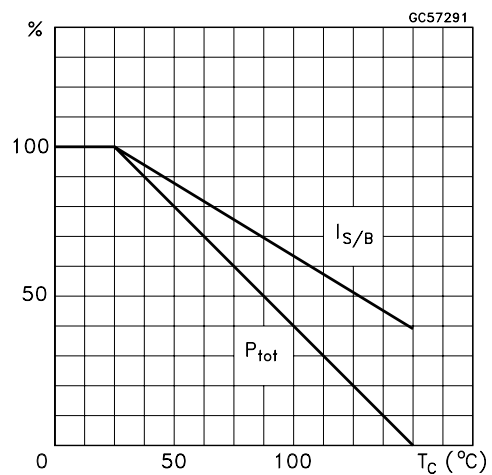
Symbol	Parameter	Test Conditions		Min.	Typ.	Max.	Unit
I _{CBO}	Collector Cut-off Current (I _E = 0)	V _{CB} = 60 V				100	μA
I _{EBO}	Emitter Cut-off Current (I _C = 0)	V _{EB} = 7 V				100	μA
V _{(BR)CEO*}	Collector-Emitter Breakdown Voltage (I _B = 0)	I _C = 50 mA		60			V
V _{CE(sat)*}	Collector-Emitter Saturation Voltage	I _C = 2 A	I _B = 0.2 A		0.4	1	V
V _{BE*}	Base-Emitter Voltage	I _C = 0.5 A	V _{CE} = 5 V		0.75	1	V
h _{FE*}	DC Current Gain	I _C = 0.5 A I _C = 2 A	V _{CE} = 5 V V _{CE} = 5 V	100 20		320	
f _T	Transition frequency	V _{CE} = 5 V	I _C = 0.5 A		3		MHz
C _{CB0}	Collector-Base Capacitance	V _{CB} = 10 V	I _E = 0 f = 1 MHz		35		pF

* Pulsed: Pulse duration = 300 μs, duty cycle ≤ 2 %

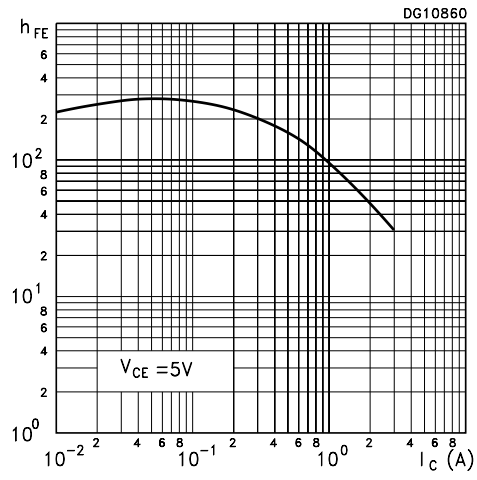
Safe Operating Area



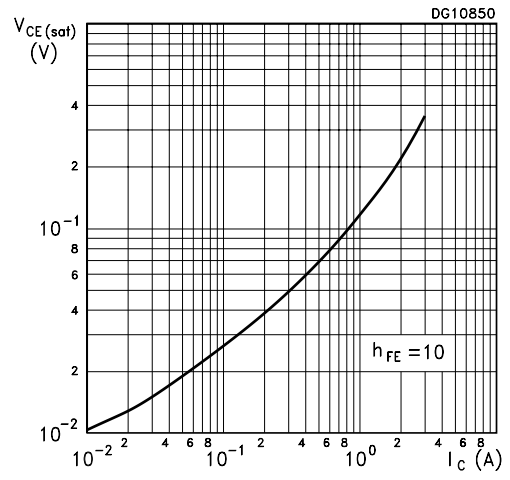
Derating Curve



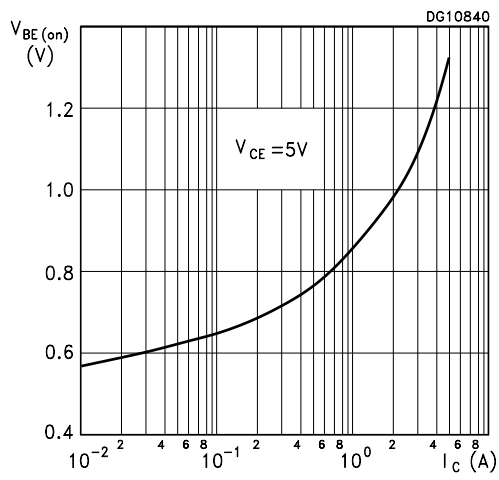
DC Current Gain



Collector Emitter Saturation Voltage

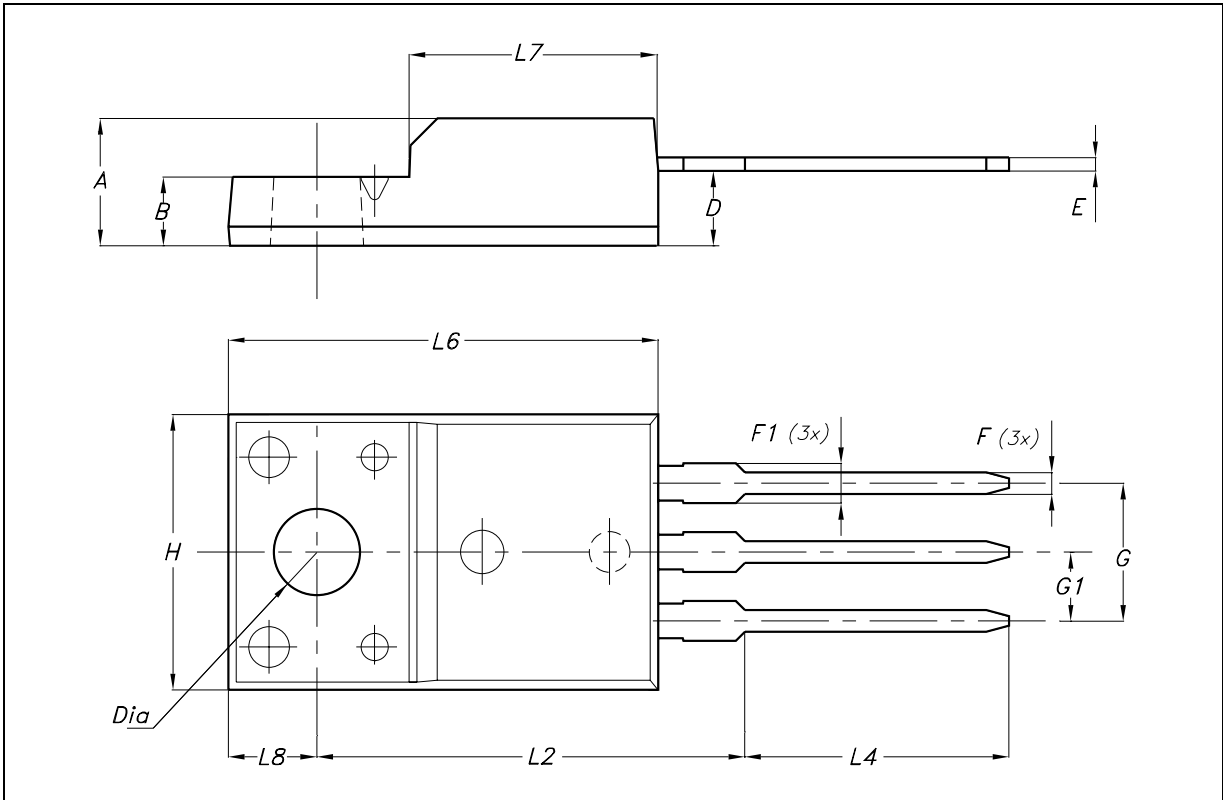


Base Emitter On Voltage



TO-220F MECHANICAL DATA

DIM.	mm			inch		
	MIN.	TYP.	MAX.	MIN.	TYP.	MAX.
A	4.50		4.90	0.177		0.193
B	2.34		2.74	0.092		0.108
D	2.56		2.96	0.101		0.117
E	0.45	0.50	0.60	0.018	0.020	0.024
F	0.70		0.90	0.028		0.035
F1			1.47			0.058
G		5.08			0.200	
G1	2.34	2.54	2.74	0.092	0.100	0.108
H	9.96		10.36	0.392		0.408
L2		15.80			0.622	
L4	9.45		10.05	0.372		0.396
L6	15.67		16.07	0.617		0.633
L7	8.99		9.39	0.354		0.370
L8		3.30			0.130	
Dia	3.08		3.28	0.121		0.129



Information furnished is believed to be accurate and reliable. However, STMicroelectronics assumes no responsibility for the consequences of use of such information nor for any infringement of patents or other rights of third parties which may result from its use. No license is granted by implication or otherwise under any patent or patent rights of STMicroelectronics. Specification mentioned in this publication are subject to change without notice. This publication supersedes and replaces all information previously supplied. STMicroelectronics products are not authorized for use as critical components in life support devices or systems without express written approval of STMicroelectronics.

The ST logo is a trademark of STMicroelectronics.

All other names are the property of their respective owners.

© 2003 STMicroelectronics – All Rights reserved

STMicroelectronics GROUP OF COMPANIES

Australia - Belgium - Brazil - Canada - China - Czech Republic - Finland - France - Germany - Hong Kong - India - Israel - Italy - Japan - Malaysia - Malta - Morocco - Singapore - Spain - Sweden - Switzerland - United Kingdom - United States.

<http://www.st.com>