

RF-NANO Board

Version 2.0

Index	Page
Power-CH340	1
MCU	2
NRF24L01+	3

Sheet: Power-CH340

File: Power-CH340.sch

Sheet: MCU

File: MCU.sch

Sheet: NRF24L01+

File: NRF24L01+.sch

Carl.Du
<https://github.com/emakefun/rf-nano>
www.emakefun.com



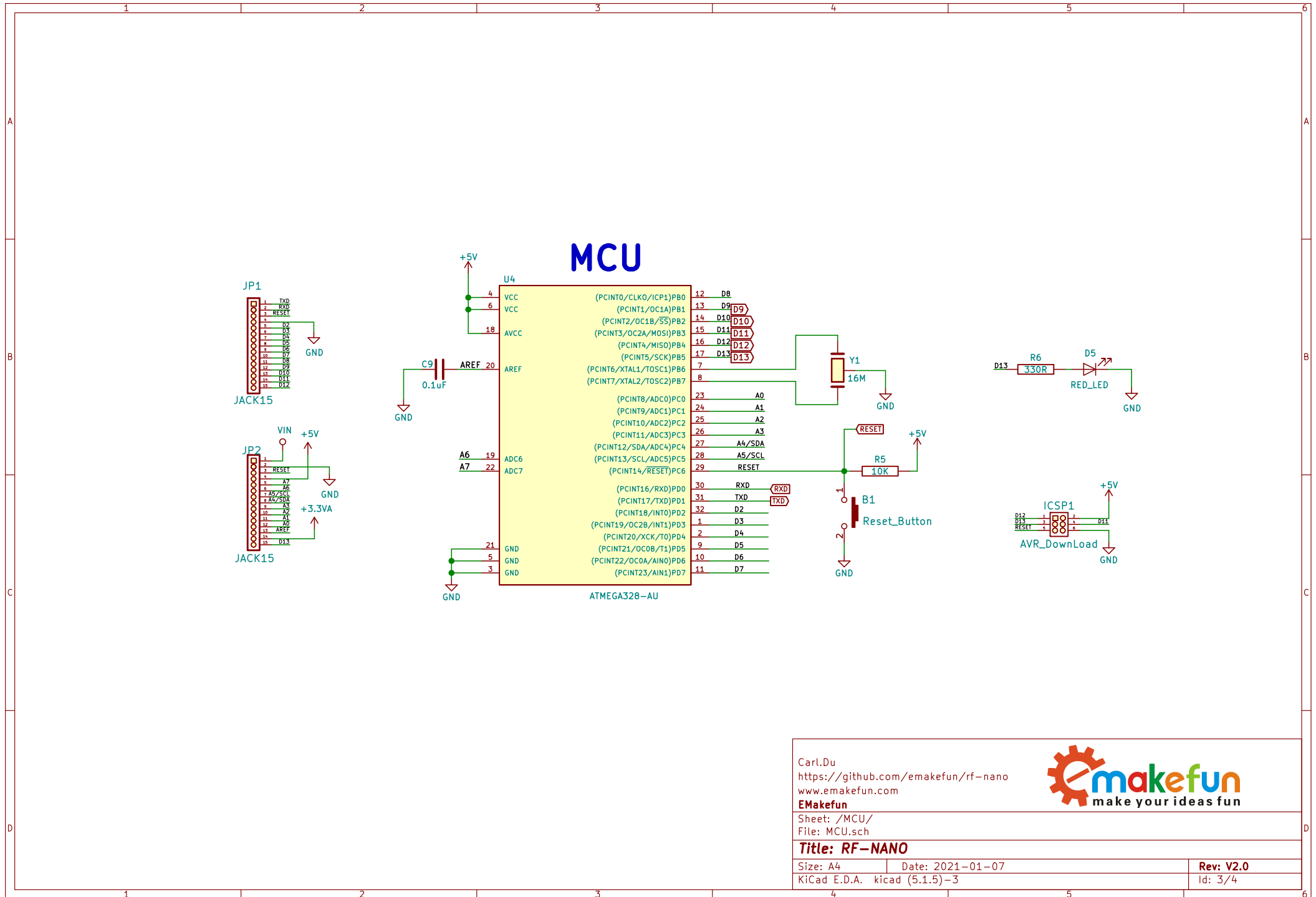
EMakefun

Sheet: /
File: RF-Nano.sch


Title: RF-NANO

Size: A4 Date: 2021-01-07
KiCad E.D.A. kicad (5.1.5)-3

Rev: V2.0
Id: 1/4

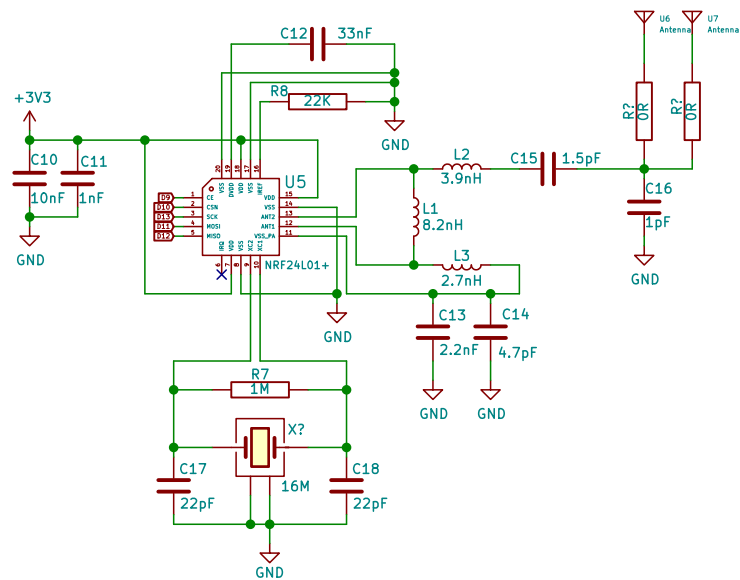


Carl.Du
<https://github.com/emakefun/rf-nano>
www.emakefun.com
EMakefun
 Sheet: /MCU/
 File: MCU.sch



Title: RF-NANO

Size: A4	Date: 2021-01-07	Rev: V2.0
KiCad E.D.A. kicad (5.1.5)-3		Id: 3/4



Carl.Du
<https://github.com/emakefun/rf-nano>
www.emakefun.com



EMakefun
 Sheet: /NRF24L01+/
 File: NRF24L01+.sch

Title: RF-NANO

Size: A4 Date: 2021-01-07
 KiCad E.D.A. kicad (5.1.5)-3

Rev: V2.0
 Id: 4/4